

Vectra E Series

Loaders



Integrating plastic technologies since 1965

Designed for beside the press loading , the Vectra E Series of loaders are a perfect blend of Performance and price. Models are available in either Single or dual feed (ratio) to suit your application.

Features for single tube loader

Model # VL1202-175IEF120

- Heavy duty vacuum motor
- Welded steel construction
- Counterbalanced hinged discharge valve
- Discharge valve seal
- Pulsed air filter cleaning
- C MOS integrated circuit controls system
- Adjustable loading time
- Demand level switch
- Dacron filter
- Power on/off illuminated breaker switch
- Sufficient steel tube, couplings and flexible tubing for installation up to 4' horizontal x 12' vertical
- pick up wand
- 10' Power cord



Features for dual tube loader (ratio)

Model # VL1202-175IERF120

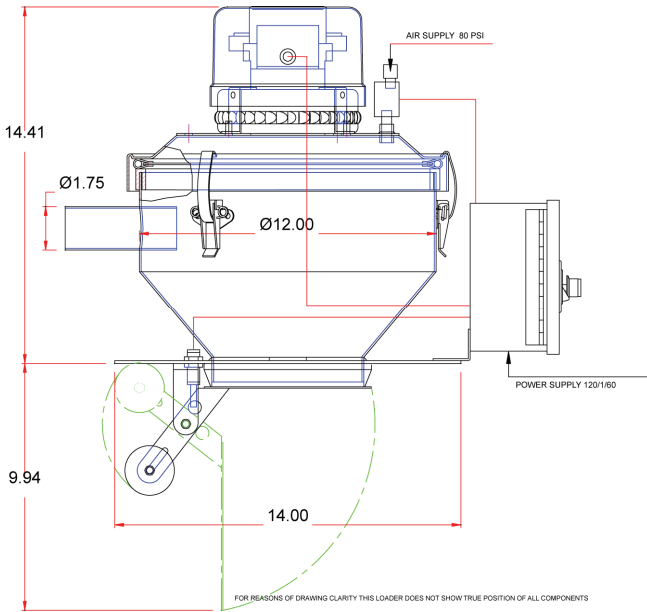
- Heavy duty vacuum motor
- Welded steel construction
- Counterbalanced hinged discharge valve
- Discharge valve seal
- Pulsed air filter cleaning
- C MOS integrated circuit controls system
- Adjustable loading time
- Demand level switch
- Dacron filter
- Power on/off illuminated breaker switch
- Sufficient steel tube, couplings and flexible tubing for installation up to 4' horizontal x 12' vertical
- Pick up wand
- 10' Power cord
- Ratio Mixing Features Include:
 - Regrind percentage control
 - Mixing frequency control
 - Dual mixing valves
 - Air line filter



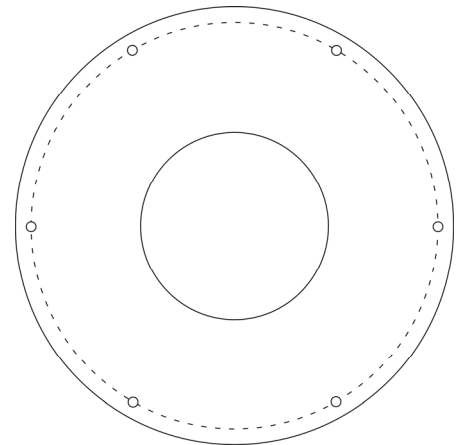


Specifications

Loader Model	VL1202-175IEF120	VL1202-175IERF120
Vacuum motor	5/8 hp Brush type	5/8 hp Brush type
Injection molding Machine	500 tons	500 tons
Extruder Size	2 inch	2 inch
Recommended throughput	200 lbs/ hr	200 lbs/ hr
Maximum conveying distance	20'	20'
Loader Diameter	12"	12"
Line size	1.75	1.75
Available voltages	120 /220 VAC 50/50 Hz	
Compressed air requirements	80 psi 2 cuft /min	
Filter area	113 In ²	



Flange Details
6 holes 5/16" on a
13" BCD



Hamilton Avtec Inc.
1040 Cardiff Boulevard Mississauga ON L5S 1P3 Canada
Tel: (905) 568-1133 Fax: (905) 568-0785
Website www.hamiltonavtec.com
Email: sales@hamiltonavtec.com

Representative: